

## CPT15 – Control Power Transformer



### INSULATION LEVEL

See Table

### FREQUENCY

60 Hz

### VA RATING

15 kVA @ 30 deg. C ambient

### PRIMARY TAPS

3 +/-2.5%

### PRIMARY TERMINALS

1/4-20 UNC brass female terminal insert with brass screw , one plain washer , one bronze lock washer

### SECONDARY TERMINALS

1/2-13 UNC brass bolt with one bellville washer and two brass hex nuts

### PRIMARY FUSE RATING

Fuse rating based on NEC transformer over current protection

### APPROX. WEIGHT

275lbs.

For indoor use only

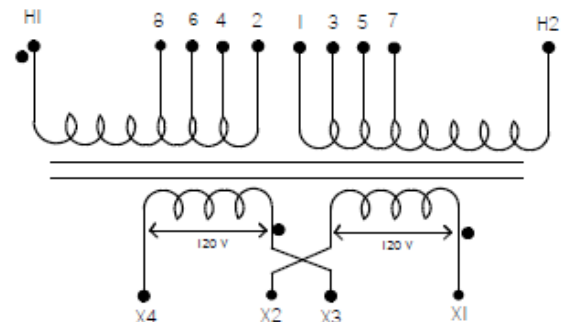
Self cooled cast coil

Available as unfused only

Stainless Steel mounting base plate

As per ANSI/IEEE C57.13, IEC, OR relevant standard  
TABLES (Specify Catalog # and Group with the RFQ)

CATALOG #	PRIMARY VOLTAGE	RATIO	SECONDARY VOLTAGE	INSULATION LEVEL	FUSE RATING
CPT15-60-5-242	2400	20:1	120/240	5kV, 60kV BIL	15E
CPT15-60-5-4161	4160	34.7:1	120/240	5kV, 60kV BIL	10E
CPT15-60-5-482	4800	40:1	120/240	5kV, 60kV BIL	10E
CPT15-95-15-722	7200	60:1	120/240	15kV, 95kV BIL	7E
CPT15-95-15-842	8400	70:1	120/240	15kV, 95kV BIL	7E
CPT15-95-15-123	12000	100:1	120/240	15kV, 95kV BIL	5E
CPT15-95-15-12471	12470	104:1	120/240	15kV, 95kV BIL	5E
CPT15-95-15-1322	13200	110:1	120/240	15kV, 95kV BIL	5E
CPT15-95-15-1382	13800	115:1	120/240	15kV, 95kV BIL	5E
CPT15-95-15-1442	14400	120:1	120/240	15kV, 95kV BIL	5E



% RATED VOLTAGE	CONNECT HV LINK
107.5	1-2
105	2-3
102.5	3-4
100	4-5
97.5	5-6
95	6-7
92.5	7-8

# CPT15 – Control Power Transformer

## DIMENSIONS: Dimensions are in Inches [mm]

FLEXIBLE TAP CHANGING LINK, BLACK PVC WIRE WITH RING TYPE LUG TERMINATION (REFER CONNECTION DIAGRAM)

1/4-20 UNC BRASS FEMALE TERMINAL INSERT WITH BRASS SCREW, ONE PLAIN WASHER, ONE BRONZE LOCK WASHER

