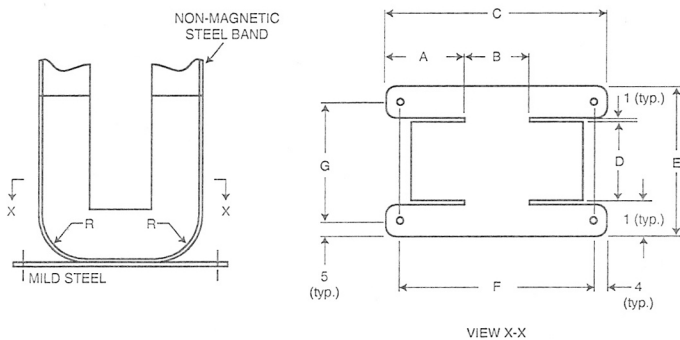


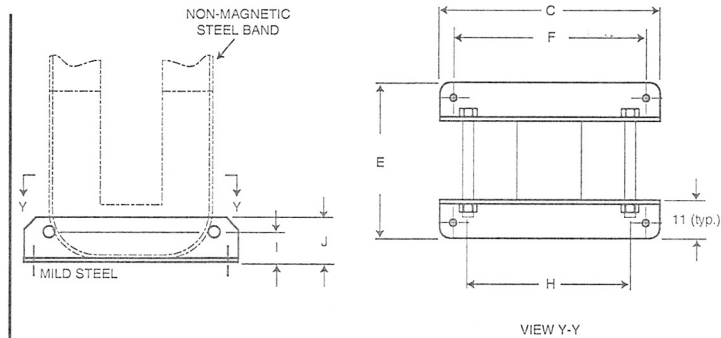
C-Core Mounting Methods

POWERLITE® C-Cores - Mounting Methods

Mounting Method #1 Preferred - Minimum Stress



Mounting Method #2



CORE NUMBER	A (mm)	B (mm)	C (mm)	D (mm)	E (mm)	F (mm)	G (mm)	H (mm)	I (mm)	J (mm)	R (mm)
AMCC-6.3	15.5	11	42	20	44	34	34	31	4	9	10
AMCC-8	17.5	13	48	20	44	40	34	35	5	10	11
AMCC-10	17.5	13	48	20	44	40	34	35	5	10	11
AMCC-16A	17.5	13	48	25	47	40	37	35	5	10	11
AMCC-16B	17.5	13	48	25	47	40	37	35	5	10	11
AMCC-20	17.5	13	48	30	52	40	42	35	5	10	11
AMCC-25	20.5	15	56	25	47	46	37	41	6	12	13
AMCC-32	20.5	15	56	30	52	46	42	41	6	12	13
AMCC-40	20.5	15	56	35	57	46	47	41	6	12	13
AMCC-50	25	20	70	25	47	62	37	52	9	15	16
AMCC-63	25	20	70	30	52	62	42	52	9	15	16
AMCC-80	25	20	70	40	62	62	52	52	9	15	1
AMCC-100	25	20	70	45	67	62	57	52	9	15	16
AMCC-125	30	25	85	35	57	77	47	63	12	18	15
AMCC-160	30	25	85	40	62	77	52	63	12	18	15
AMCC-200	30	25	85	50	72	77	62	63	12	18	15
AMCC-250	30	25	85	60	82	77	72	63	12	18	15
AMCC-320	35	35	104	50	72	96	62	79	15	21	22
AMCC-400	35	35	104	65	87	96	77	79	15	21	22
AMCC-500	39	40	118	55	77	110	67	90	17	24	25
AMCC-630	39	40	118	70	92	110	82	90	17	24	25
AMCC-800A	39	40	118	85	107	110	97	90	17	24	25
AMCC-800B	47	40	134	85	107	126	97	100	21	29	30
AMCC-1000	52	40	144	85	107	136	97	106	24	32	33