

- Extreme High Voltage
- Non-Inductive
- Circuit Board Mounting

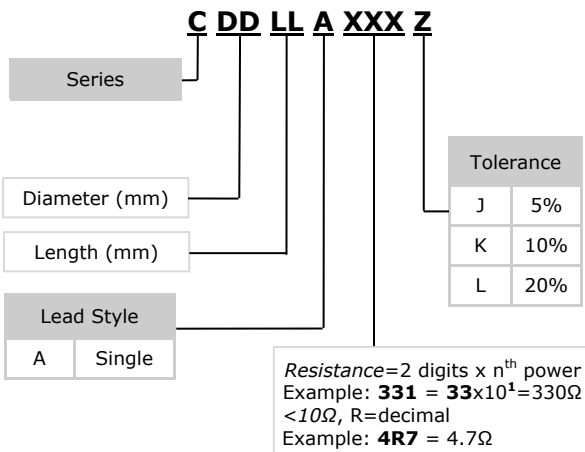
The C Series of non-inductive, ceramic composite resistors, radial lead resistors can absorb high energy at voltages up to 44kV. They are ideal for high voltage applications requiring non-inductance, as in pulse-forming and fast crowbars.

Typical uses are in high voltage test equipment and cardiac defibrillators.

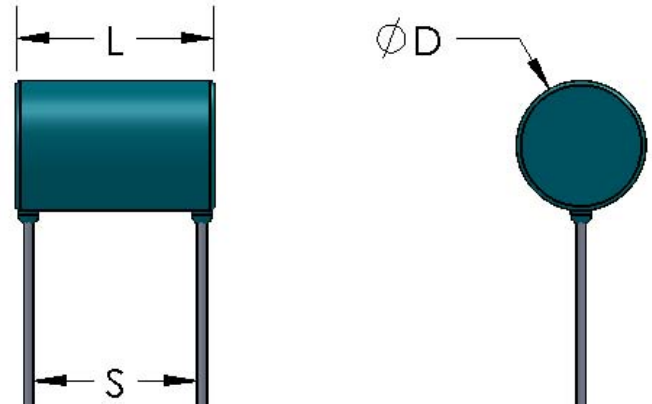
Part Number	Resistance (Ω)	Impulse Volts (V)	Power <sup>1</sup> (W)	Energy <sup>1,2</sup> (J)	L <sub>nom</sub> (mm)	D <sub>nom</sub> (mm)	S <sub>nom</sub> (mm)	Lead Dia. (mm)
C1107AXXXZ	1.2-8.2K	(See Graph)	1.00	100	7.0	13.0	5.0	0.909
C1111AXXXZ	2.2-15K	(See Graph)	1.25	175	10.0	13.0	8.0	0.909
C1320AXXXZ	5.6-33K	(See Graph)	2.00	400	20.0	13.0	18.0	0.909
C2125AXXXZ	2.2-15K	(See Graph)	4.00	1400	24.0	20.0	22.0	1.100
C2130AXXXZ	2.7-18K	(See Graph)	5.00	1900	31.0	20.0	29.0	1.100
C2629AXXXZ	1.8-12K	(See Graph)	6.00	2800	29.0	25.0	27.0	1.100
C2654AXXXZ	3.3-22K	(See Graph)	10.00	5600	54.0	25.0	52.0	1.100

Notes: <sup>1</sup> Rated at 25°C  
Derated by (150-ambient)/125      <sup>2</sup> single impulse

### Ordering Information



### Configuration



Dimensions are in mm.

For non standard configurations, please contact Engineering—engineering@hvrpc.com

## Pulse Voltage Limits

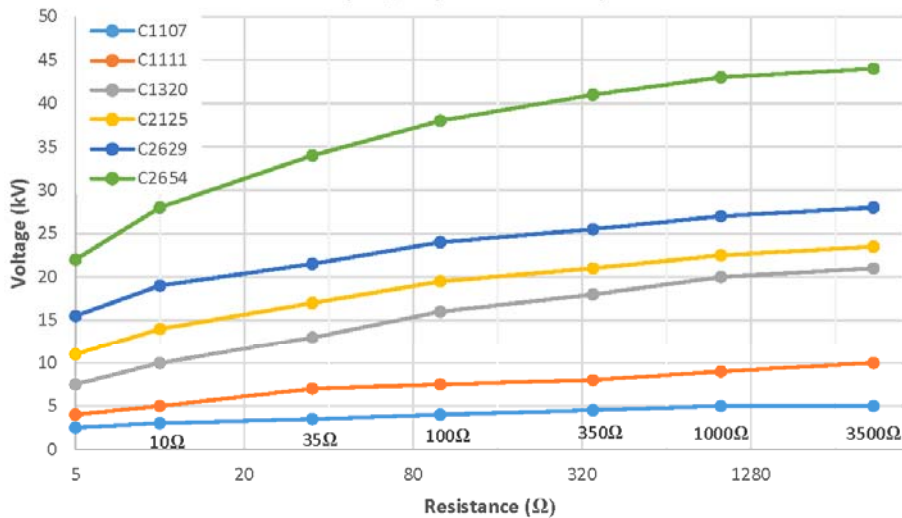
The pulse voltage capability of the *C Series* resistor is constrained by allowable current, energy and pulse width. The two graphs presented below show allowable peak impulse voltage vs. resistance for two standard waveforms.

The waveforms are defined by:

- Rise time (to 90% amplitude)
- Pulse width (decay to 50% amplitude)

Please consult engineering to verify safe operating area compliance for your application

Peak Voltage vs. Resistance  
(1.2/50 $\mu$ s waveform)



Peak Voltage vs. Resistance  
(10/1000 $\mu$ s waveform)

