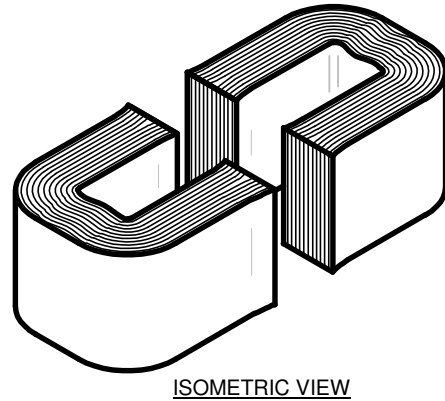
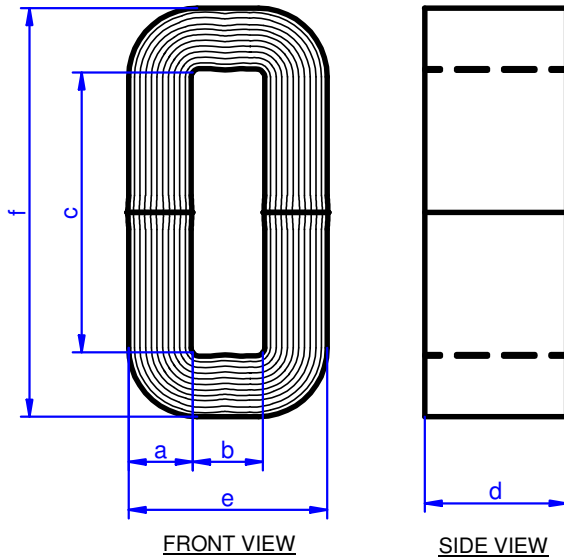


AMCC16B



PHYSICAL SPECIFICATIONS (mm)	CORE BUILD (a)	WINDOW WIDTH (b)	WINDOW LENGTH (c)	CORE HEIGHT (d)	CORE WIDTH (e)	CORE LENGTH (f)	WEIGHT OF CORE # (g)
	11.0	13.0	50.0	25.0	35.0	72.0	281
TOLERANCES (mm)	±0.8	MIN.	MIN.	±0.5	+1.0 / -0.5	+2.0 / -0.0	NOM.

# WEIGHT INCLUDES 2% (NOM.) EPOXY WEIGHT.

CALCULATED SPECS	STACK FACTOR	MEAN MAGNETIC PATH LENGTH (lm)	NET CROSS SECTIONAL AREA (Ac)	WINDOW AREA (Wa)	AREA PRODUCT (Ap)
	%	cm	cm <sup>2</sup>	cm <sup>2</sup>	cm <sup>4</sup>
82%	17.0	2.3	6.5	14.7	
TOLERANCES	±2%	NOM.	NOM.	NOM.	NOM.

TEST SPECIFICATIONS	CORE LOSS @ 16kHz, 0.037T
	≤ 1.38 W / Kg
TOLERANCES	Max.

- \* All measurements are done at Room Temperature (22°C to 28°C).
- \* Continuous Operating Temperature: 150°C (Max.)

- NOTES:-
- Customer to mark the dimensions/characteristics that are critical to fit/form and function on the drawing.
  - Number of components to be submitted for pilot production lot=\_\_\_\_\_pieces.
  - Unless otherwise specified, standard packaging used by hitachi metglas will be provided.
  - All production records and data pertaining to this product will be retained for a period of 1 year from the date of shipment.
  - For Product Safety communication refer EG/FM/0039

- GENERAL INSTRUCTIONS:-
- Bare core, kept in open, is rust prone.
  - Core with minor rust can be used after cleaning with suitable rust preventive chemical.
  - Core to be shelf stored in proper packaging like VCI (Volatile Corrosion Inhibitor) paper cover.
  - Core recommended to be used in application after suitable varnishing / coating / potting / covering etc.

SIGNATURE: \_\_\_\_\_ DATE: \_\_\_\_\_

NAME: \_\_\_\_\_

COMPANY NAME: \_\_\_\_\_

**CUSTOMER APPROVAL**

DISCLAIMER: The manufacturer ensures outer dimensions & weight of each individual core conforms to specifications. However, core profile & inner window dimensions are indicative & minimum dimensions are ensured.

Note :-  
This drawing, the property of Hitachi Metals India Pvt. Ltd, is furnished subject to return on demand and condition that information and technology embodied herein shall not be disclosed or used and the drawing shall not be reproduced or copied in whole or in part except as previously authorized in writing. Any person who may receive or observe this design will be held strictly liable for any violation whether willful or negligent.

TOLERANCES UNLESS OTHERWISE SPECIFIED	NO.	REVISION	BY	APPR.	DATE	DIMENSIONS	mm	DESCRIPTION	NO. OF SHEET	DRAWING NO.	REV. NO.			
	03	ADDED NOTE#3. (AS PER PCN002).	SA	RK	26/07/04	SCALE	N.T.S	<b>PRODUCT DRAWING - AMCC16B</b> PRIME RAW MATERIAL <b>METGLAS® ALLOY 2605SA1</b>	1 OF 1	AMCC16B	07			
	04	PRODUCT & DRAWING FORMAT REVISED. (AS PER PCN004)	RG	RK	25/09/06	PROJECTION								
	05	PRODUCT TOLERANCE & DRAWING FORMAT REVISED. (REFER PCN005)	AS	RG	16/05/08			Materials Magic Hitachi Metals Group	DRAWN	DATE	CHECKED	DATE	APPROVED	DATE
	06	PRODUCT DRAWING FORMAT REVISED.	RNS	RG	29/05/15				SR	07/12/01	SR	07/12/01	RH, RM, ST	07/19/01
	07	PRODUCT DRAWING FORMAT REVISED.	MR	RG	27/11/17									