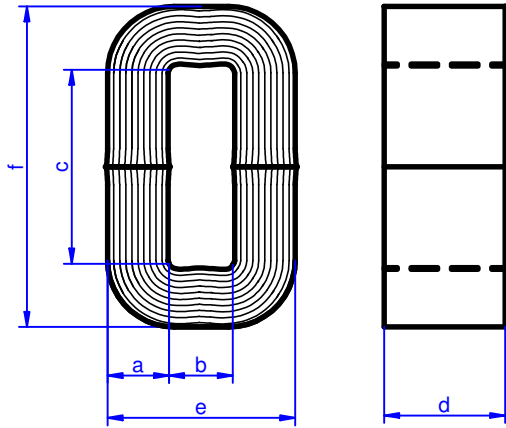
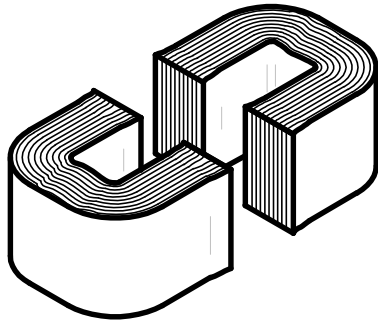


AMCC6.3



FRONT VIEW

SIDE VIEW



ISOMETRIC VIEW

PHYSICAL SPECIFICATIONS (mm)	CORE BUILD (a)	WINDOW WIDTH (b)	WINDOW LENGTH (c)	CORE HEIGHT (d)	CORE WIDTH (e)	CORE LENGTH (f)	WEIGHT OF CORE # (g)
	10.0	11.0	33.0	20.0	31.0	53.0	154
TOLERANCES (mm)	±0.5	MIN.	MIN.	±0.5	+1.0 / -0.5	+2.0 / -0.0	NOM.

WEIGHT INCLUDES 2% (NOM.) EPOXY WEIGHT.

CALCULATED SPECS	STACK FACTOR	MEAN MAGNETIC PATH LENGTH (lm)	NET CROSS SECTIONAL AREA (Ac)	WINDOW AREA (Wa)	AREA PRODUCT (Ap)
	%	cm	cm ²	cm ²	cm ⁴
	82%	12.8	1.6	3.6	6.0
TOLERANCES	±2%	NOM.	NOM.	NOM.	NOM.

TEST SPECIFICATIONS	CORE LOSS @ 16kHz, 0.037T
	≤ 1.38 W / Kg
TOLERANCES	Max.

- * All measurements are done at Room Temperature (22°C to 28°C).
- * Continuous Operating Temperature: 150°C (Max.)

- NOTES:-
- Customer to mark the dimensions/characteristics that are critical to fit/form and function on the drawing.
 - Number of components to be submitted for pilot production lot= _____ pieces.
 - Unless otherwise specified, standard packaging used by hitachi metglas will be provided.
 - All production records and data pertaining to this product will be retained for a period of 1 year from the date of shipment.
 - For Product Safety communication refer EG/FM/0039

- GENERAL INSTRUCTIONS:-
- Bare core, kept in open, is rust prone.
 - Core with minor rust can be used after cleaning with suitable rust preventive chemical.
 - Core to be shelf stored in proper packaging like VCI (Volatile Corrosion Inhibitor) paper cover.
 - Core recommended to be used in application after suitable varnishing / coating / potting / covering etc.

SIGNATURE: _____ DATE: _____

NAME: _____

COMPANY NAME: _____

CUSTOMER APPROVAL

DISCLAIMER: The manufacturer ensures outer dimensions & weight of each individual core conforms to specifications. However, core profile & inner window dimensions are indicative & minimum dimensions are ensured.

Note :- This drawing, the property of Hitachi Metals India Pvt. Ltd, is furnished subject to return on demand and condition that information and technology embodied herein shall not be disclosed or used and the drawing shall not be reproduced or copied in whole or in part except as previously authorized in writing. Any person who may receive or observe this design will be held strictly liable for any violation whether willful or negligent.

TOLERANCES UNLESS OTHERWISE SPECIFIED	NO.	REVISION	BY	APPR.	DATE	DIMENSIONS	mm	DESCRIPTION	NO. OF SHEET	DRAWING NO.	REV. NO.
	03	ADDED NOTE#3. (AS PER PCN002).	SA	RK	26/07/04	SCALE	N.T.S	PRODUCT DRAWING - AMCC6.3 PRIME RAW MATERIAL METGLAS® ALLOY 2605SA1	1 OF 1	AMCC6.3	07
	04	PRODUCT & DRAWING FORMAT REVISED. (AS PER PCN004)	RG	RK	25/09/06	PROJECTION					
	05	PRODUCT TOLERANCE & DRAWING FORMAT REVISED. (REFER PCN005)	AS	RG	16/05/08			 DRAWN DATE CHECKED DATE APPROVED DATE SR 07/12/01 SR 07/12/01 RH, RM, ST 07/19/01			
	06	PRODUCT DRAWING FORMAT REVISED.	RNS	RG	29/05/15						
	07	PRODUCT DRAWING FORMAT REVISED.	MR	RG	27/11/17						